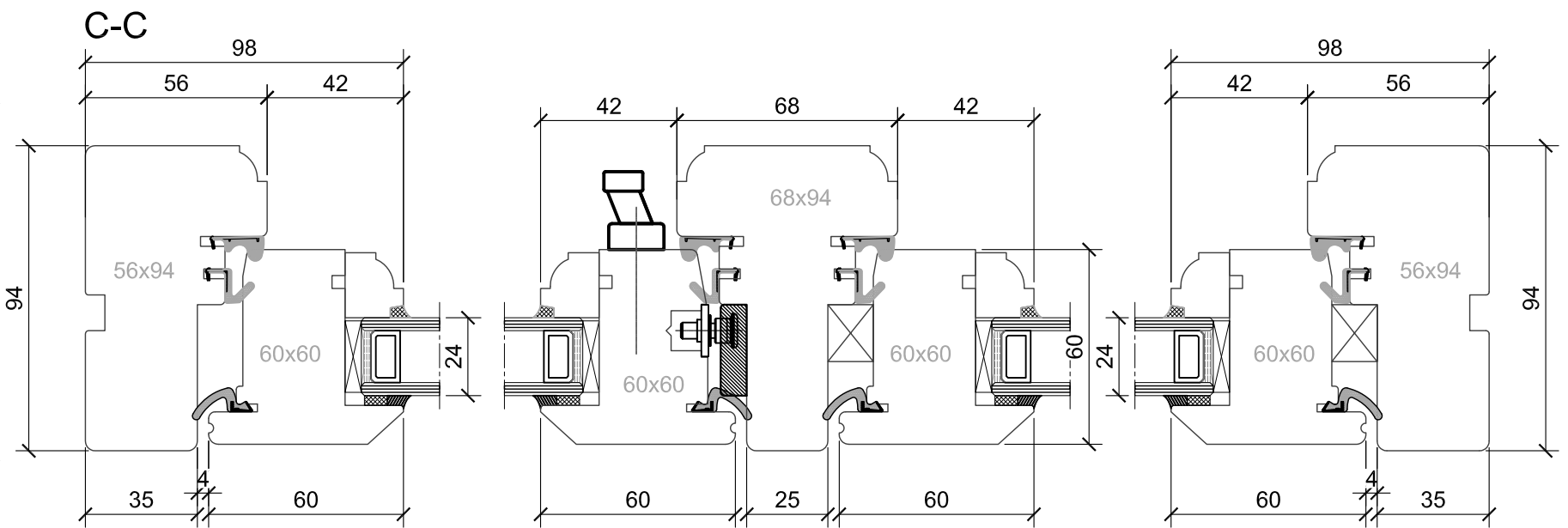
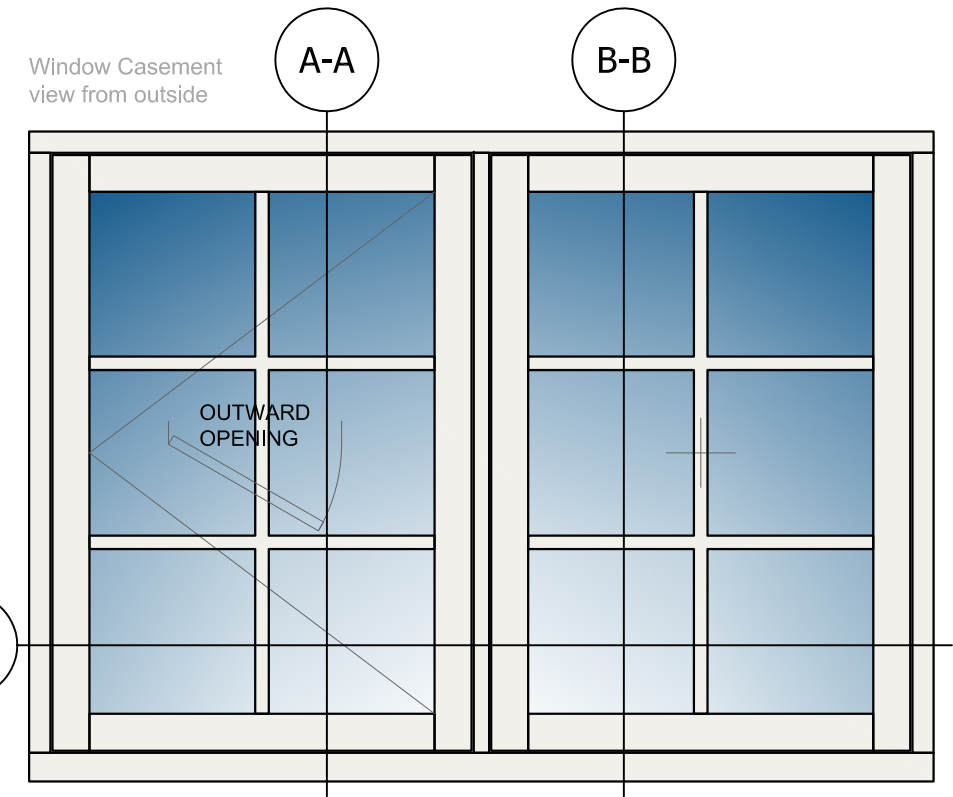
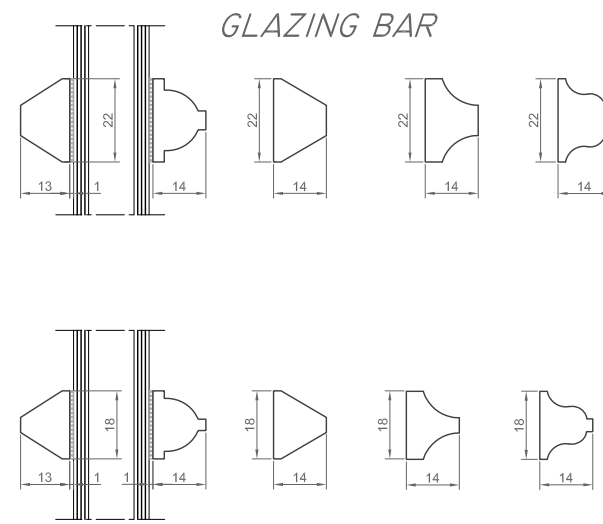
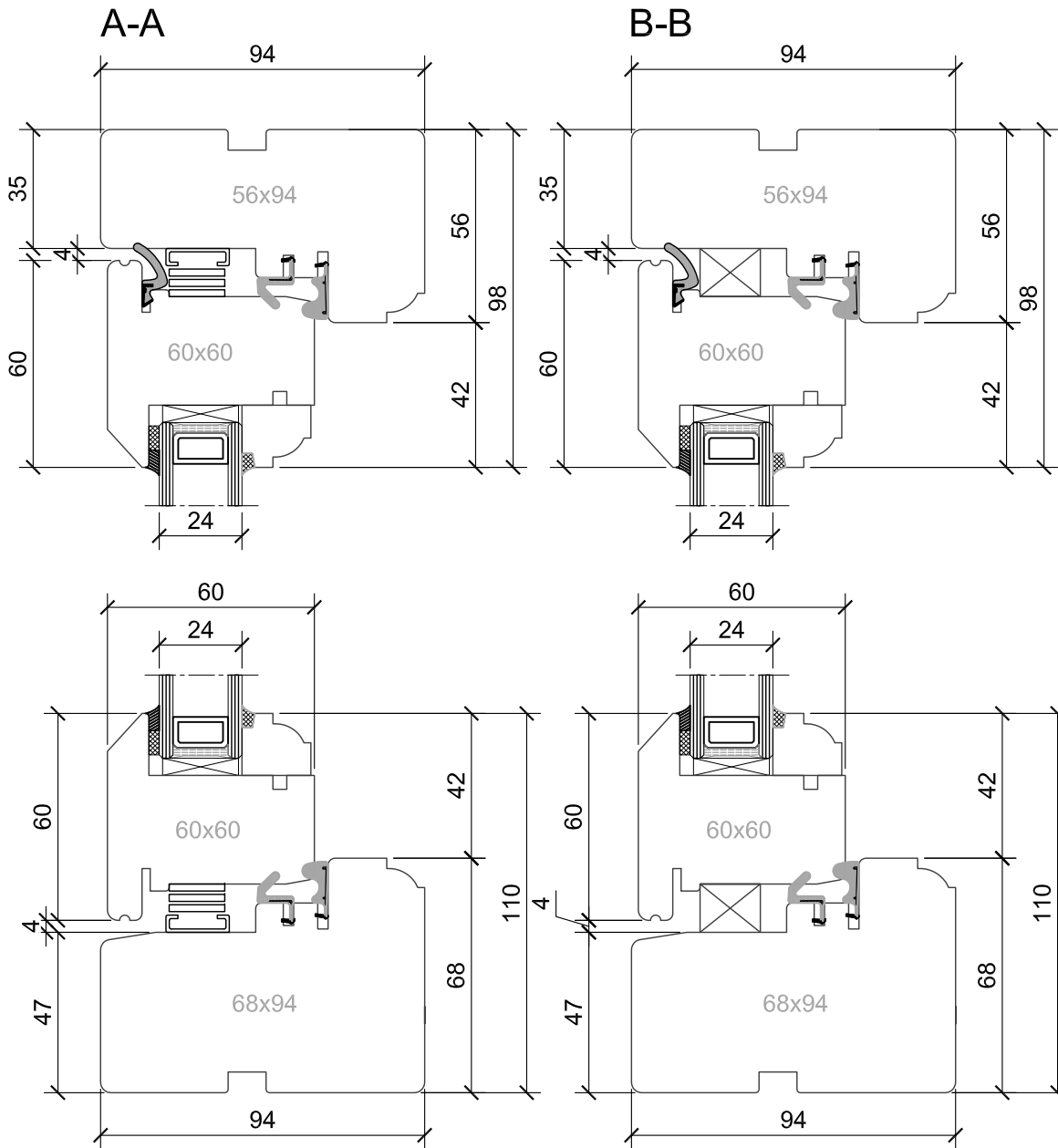




Cardinal  
Windows

# CASEMENT WINDOW



sales@cardinal-windows.com

DO NOT SCALE FROM THIS DRAWING.  
USE FIGURED DIMENSIONS ONLY.  
THIS SCHEDULE TO BE READ IN CONJUNCTION WITH A  
NUMBERED COPY OF THE HOUSE PLANS AND THE  
FOLLOWING DETAILS:  
-STANDARD BLOCK FITTING DETAIL  
THIS DRAWING IS COPYRIGHT AND MAY ONLY BE  
REPRODUCED WITH CARDINAL WINDOWS PERMISSION.